

Follow us on



UK ENQUIRIES

Free Phone: 0800 156 0010

Fax: 01302 560 203

Email: uk.sales@aalberts-ips.com

TECHNICAL HELP

Free Phone: 0800 156 0050

Email: technical@aalberts-ips.com

INTERNATIONAL ENQUIRIES

EXPORT

Tel: +44 (0) 1302 855 656

Email: export@aalberts-ips.com

CONNECT + CONTROL

Tectite

XPress

VSH Shurjoint

Terrier

Ballorex

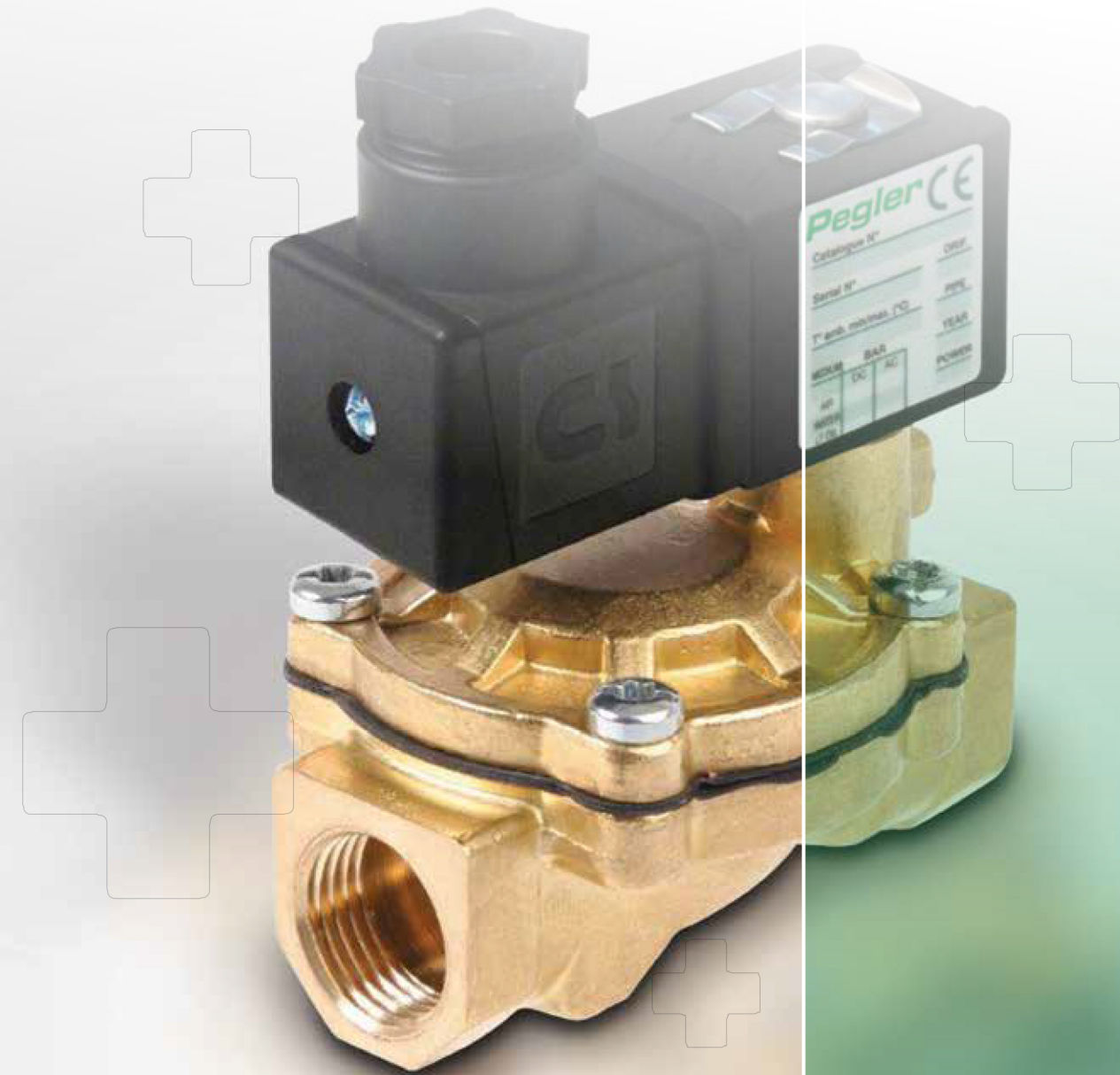
Pegler

Prestex

Yorkshire

Endex

Kuterlite



SOLENOID VALVES

PUTTING YOU IN CONTROL

Pegler

HEAD OFFICE

Aalberts Integrated Piping Systems Ltd

St. Catherine's Avenue, Doncaster,
South Yorkshire DN4 8DF, England

Tel: +44 (0) 1302 560 560

Fax: +44 (0) 1302 560 203

Email: info@pegler.co.uk

www.pegler.co.uk

Registered in England Company No. 00401507

All brand names and logo styles are registered trademarks. Maintaining a policy of continual product development, Pegler reserves the right to change specifications, design and materials of products listed in this publication without prior notice.

LIT. REF: 880137



PEGLER SOLENOID VALVES

Pegler Solenoid Valves are an efficient way of automatic flow control of potable water. It requires a minimal amount of plumbing, wiring, expense and effort in contrast to valves and separate actuators. Pegler Range of Solenoid Valves considers electrical operation, valve size and approvals required for commercial application.



GENERAL FEATURES

- Diaphragm valve, pilot operated, having full orifice.
- Suitable to shut off liquid.
- CE and WRAS approved.
- Protection degree up to IP65.
- Low power absorption coils.

TYPICAL APPLICATIONS

- Urinal flush.
- Potable water.
- Mains water.

TECHNICAL FEATURES

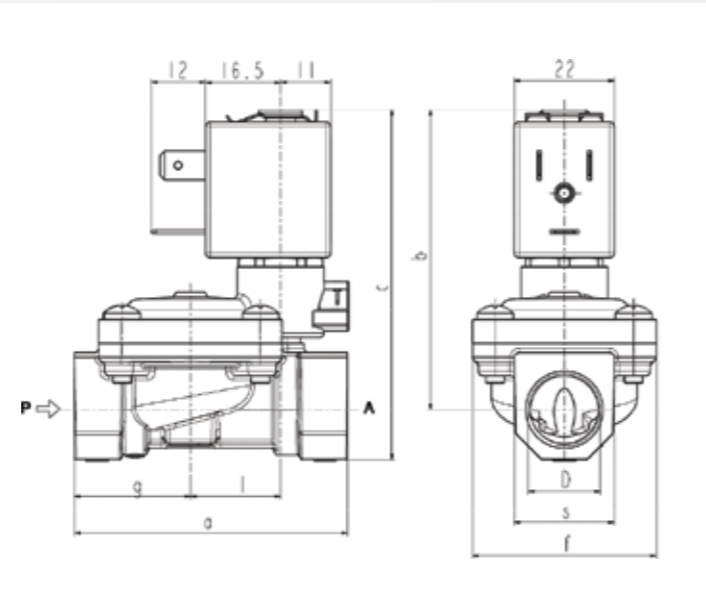
Max. allowable pressure (PS) 20bar
 Opening time from ~300ms to ~1500ms
 Closing time from ~1000ms to ~2000ms
 Fluid temperature -10°C +140°C (EPDM)

MATERIALS IN CONTACT WITH FLUID

Body Brass
 Sealing EPDM
 Internal components Brass and stainless steel
 Seat Brass
 Guide assembly Stainless steel
 Shading ring Copper

D	a	b	c	f	g	l	s
1/2	66	66	82	40	29	20	27
3/4	79	72.5	89	50	36.5	24.5	33
1	105	85	106	71	46	28	42

COIL	
Approval	/
Encapsulation material	PA fibreglass reinforced
Insulation class	F (155°C)
Ambient temperature	-10°C +60°C
Continuous duty	ED 100%
Electric connection	DIN 46340 - 3 poles plug connector
Protection degree	IP65 (EN 60529) with plug connector
Voltagess DC	24V (+10% - 5%)
Voltagess AC	115V/50Hz - 230V/50 - 60Hz (+10% - 15%)
(Other voltages and frequencies on request).	



PRODUCT	DESCRIPTION	PORT SIZE	ORIFICE SIZE	DIFFERENTIAL PRESSURE				KV (m3/h)	POWER ABSORPTION			SEALINGS			APPROVAL	WEIGHT	
				ΔP MIN	LIQUIDS		DC		SEAL	DIAPHRAGM	ACTUATOR	INRUSH	HOLDING	W			
					ΔP MAX	AC											DC
						VA											VA
12900	230SV 1/2" Pegler Solnd Vlv 230V	1/2"	13.5	0.35	16 (12)	16 (12)	3.8	12	6	5.5	EPDM	EPDM	EPDM	WRAS	0.38		
12901	115SV 1/2" Pegler Solnd Vlv 115V	1/2"	13.5	0.35	16 (12)	16 (12)	3.8	12	6	5.5	EPDM	EPDM	EPDM	WRAS	0.38		
12902	24SV 1/2" Pegler Solnd Vlv 24V DC	1/2"	13.5	0.35	16 (12)	16 (12)	3.8	12	6	5.5	EPDM	EPDM	EPDM	WRAS	0.38		
12903	230V 3/4" Pegler Solnd Vlv 230V	3/4"	18	0.35	12 (10)	12 (10)	5	12	6	5.5	EPDM	EPDM	EPDM	WRAS	0.52		
12904	115SV 3/4" Pegler Solnd Vlv 115V	3/4"	18	0.35	12 (10)	12 (10)	5	12	6	5.5	EPDM	EPDM	EPDM	WRAS	0.52		
12905	24SV 3/4" Pegler Solnd Vlv 24VDC	3/4"	18	0.35	12 (10)	12 (10)	5	12	6	5.5	EPDM	EPDM	EPDM	WRAS	0.52		
12906	230SV 1" Pegler Solnd Vlv 230V	1"	24	0.35	12 (10)	12 (10)	12	12	6	5.5	EPDM	EPDM	EPDM	WRAS	1.08		
12907	115SV 1" Pegler Solnd Vlv 115V	1"	24	0.35	12 (10)	12 (10)	12	12	6	5.5	EPDM	EPDM	EPDM	WRAS	1.08		
12908	24SV 1" Pegler Solnd Vlv 24V DC	1"	24	0.35	12 (10)	12 (10)	12	12	6	5.5	EPDM	EPDM	EPDM	WRAS	1.08		

PILOT OPERATED SOLENOID VALVES

These valves use the inlet pressure (or full line pressure) for operation. They have two orifices (pilot and bleed). When the solenoid is energised, the pilot orifice is opened to release pressure from the top of the diaphragm (or piston) to the outlet side of the valve. The resulting difference in pressure causes the main orifice to open. When the solenoid is de-energised, the pilot orifice is closed and the full line pressure is applied to the top of the diaphragm (or piston) through the bleed orifice, providing seating force for tight closure.



GENERAL FEATURES

- Diaphragm valve, pilot operated, having full orifice.
- Suitable to shut off liquid.
- CE and WRAS approved.
- Protection degree up to IP67.
- Low power absorption coils.

TYPICAL APPLICATIONS

- Urinal flush.
- Potable water.
- Mains water.

TECHNICAL FEATURES

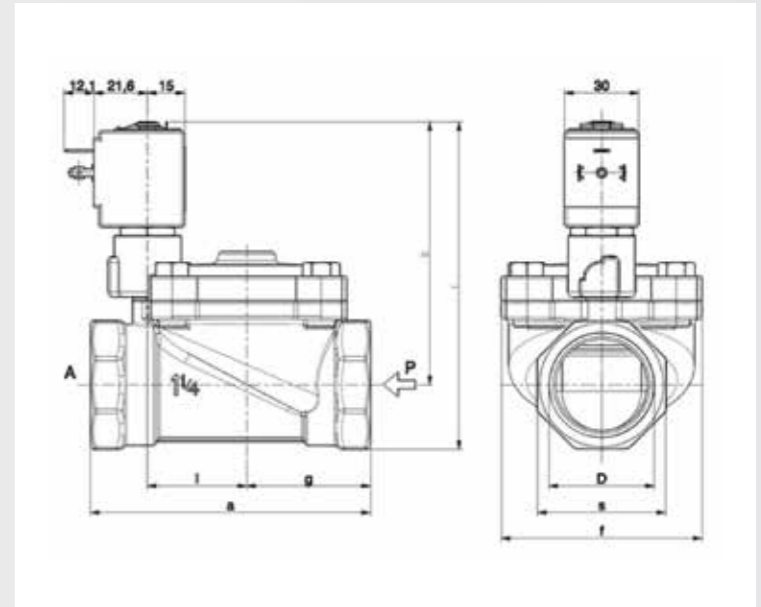
Max. allowable pressure (PS) 15bar
 Opening time from ~300ms to ~1500ms
 Closing time from ~1000ms to ~2000ms
 Fluid temperature -10°C +140°C (EPDM)

MATERIALS IN CONTACT WITH FLUID

Body Brass
 Sealing EPDM
 Internal components Brass and stainless steel
 Seat Brass
 Guide assembly Stainless steel
 Shading ring Copper

D	a	b	c	f	g	l	s
1 1/4	113	106	132	81	50	40	52
1 1/2	140	110	140	110	64	53	60
2	157	114	150	110	72	53	72

COIL	
Continuous duty	ED 100%
Encapsulation material	PPS (Polyphenilsulfure) fibreglass reinforced
Coil insulation class	F (155°C) on request class H (180°C) - UL (see ZA34)
Ambient temperature	-10°C +50°C
Electric connections	DIN 46340 - 3 poles connectors (EN175301-803)
Protection degree	IP 67 (EN 60529) with plug connector
Voltagess DC	24V (+10% - 5%)
Voltagess AC	110V/50Hz (120V/60Hz) - 230V/50Hz (+10% - 15%)
(Other voltages and frequencies on request).	



PRODUCT	DESCRIPTION	PORT SIZE	ORIFICE SIZE	DIFFERENTIAL PRESSURE				KV (m3/h)	POWER ABSORPTION			SEALINGS			APPROVAL	WEIGHT	
				ΔP MIN	LIQUIDS		DC		SEAL	DIAPHRAGM	ACTUATOR	INRUSH	HOLDING	W			
					ΔP MAX	AC											DC
						VA											VA
12909	230SV 1 1/4" Pegler Solnd Vlv 230V	1 1/4"	30	0.5	10	10	15	23	14	9	EPDM	EPDM	EPDM	WRAS	1.59		
12910	115SV 1 1/4" Pegler Solnd Vlv 115V	1 1/4"	30	0.5	10	10	15	23	14	9	EPDM	EPDM	EPDM	WRAS	1.59		
12911	24SV 1 1/4" Pegler Solnd Vlv 24VDC	1 1/4"	30	0.5	10	10	15	23	14	9	EPDM	EPDM	EPDM	WRAS	1.59		
12912	230SV 1 1/2" Pegler Solnd Vlv 230V	1 1/2"	45	0.5	10	10	27	23	14	9	EPDM	EPDM	EPDM	WRAS	2.51		
12913	115SV 1 1/2" Pegler Solnd Vlv 115V	1 1/2"	45	0.5	10	10	27	23	14	9	EPDM	EPDM	EPDM	WRAS	2.51		
12914	24SV 1 1/2" Pegler Solnd Vlv 24VDC	1 1/2"	45	0.5	10	10	27	23	14	9	EPDM	EPDM	EPDM	WRAS	2.51		
12915	230V 2" Pegler Solnd Vlv 230V	2"	45	0.5	10	10	34	23	14	9	EPDM	EPDM	EPDM	WRAS	2.9		
12916	115SV 2" Pegler Solnd Vlv 115V	2"	45	0.5	10	10	34	23	14	9	EPDM	EPDM	EPDM	WRAS	2.9		
12917	24SV 2" Pegler Solnd Vlv 24V DC	2"	45	0.5	10	10	34	23	14	9	EPDM	EPDM	EPDM	WRAS	2.9		